



HI-FLO 6 Filter

Technical Sheet

General

Hi-Flo 6 Culligan Filters are designed to respond to industrial proposes.

They are controlled by diaphragm valves opening and closing singly to direct the water flow during service and backwash steps. A timer activates a pilot valve which opens and closes the diaphragm valves.

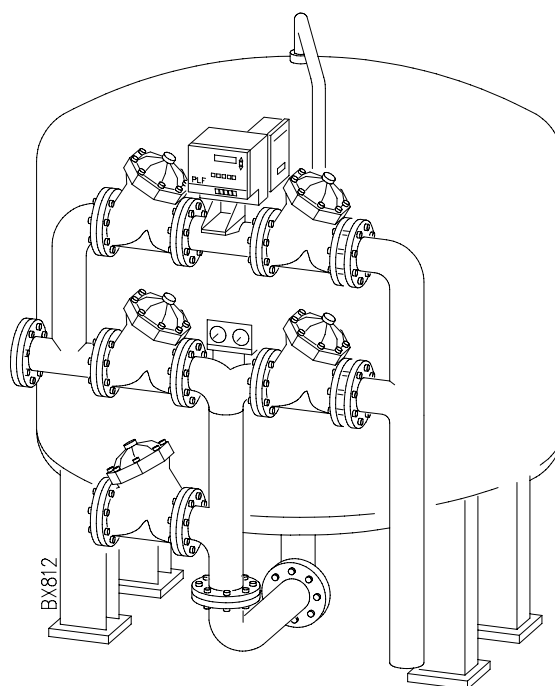
Backwash is automatically started by an electronic programmer, at any time of the day or night, on any day of the week. It can also be started manually and the filter will automatically resume service at the end of backwash step.

The filter tanks are internally protected by a controlled thickness of epoxy paint, and externally coated with a neutral synthetic enamel.

Culligan Hi-Flo and TWIN Filters cover any requirements for mechanical filtration and for chemico-physical filtration obtained by means of filtering layers.

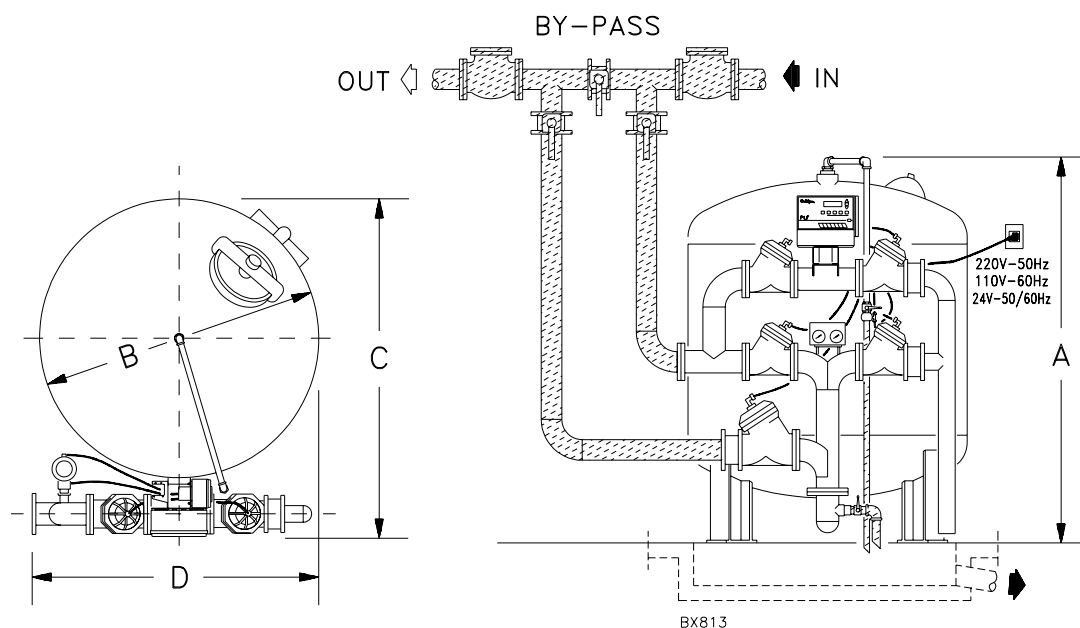
The processes employed in Hi-Flo and TWIN Filters are:

- **Filtr-Cleer (UF)**, to remove any kind of turbidity from the water, and small quantities of Iron and Manganese; the Minerals utilized are anthracite and silica, chemically inert and of unlimited life.



- **Cullar (UR)**, to remove undesirable odour, taste and colours, as well as excess Chlorine. Cullar is a granular form of activated carbon.
- **Cullneu (UU)**, to neutralize acid water. Cullneu is a granular mineral of Calcium carbonate that dissolves in proportion to the neutralized acidity.
- **Super Iron (UFP)**, for selective Iron and Manganese removal UFP Mineral has a strong catalising effect, enhanced by the injection of a proper chemical.

Hi-Flo 6 Filter



TECHNICAL SPECIFICATIONS

Models	Flow Rates			Total washing drain m ³	Max pressure-loss bar	In/Out Fitting dia.	Operating weight kg	Shipping weight kg	Overall Dimensions			
	Service min. m ³ /h	Service max. m ³ /h	Backwash m ³ /h						A mm	B dia. mm	C mm	D mm
FILTR-CLEER (turbidity)												
UF 60	21,7	36,2	61,3	13,5	1,5	DN 80 (3")	4640	3290	2200	1500	1760	1500
UF 72	31,2	52	90,8	18	1,5	DN 100 (4")	6455	4655	2282	1800	2150	1800
UF 84	42,2	70,4	129,4	28	1,5	DN 100 (4")	8325	5825	2340	2100	2450	2100
UF 90	49	81,6	147,7	32,5	1,5	DN 100 (4")	12250	7250	2350	2300	2630	2300
UF 100	60,7	101,2	174,9	38,5	1,5	DN 150 (6")	13445	9145	2614	2500	2950	2500
UFe 100	60,7	101,2	174,9	38,5	1,5	DN 100 (4")	13445	9145	2614	2500	2850	2500
UF 120	87	145	250	53,5	1,5	DN 150 (6")	27000	15500	2890	3000	3490	3000
CULLAR (taste-odour-colour)												
UR 60	21,7	36,2	27,3	6,5	1,5	DN 80 (3")	4395	2795	2200	1500	1760	1500
UR 72	31,2	52	40,9	9,5	1,5	DN 80 (3")	6025	3875	2282	1800	2100	1800
UR 84	42,2	70,4	52,2	12	1,5	DN 100 (4")	8190	5190	2340	2100	2450	2100
UR 90	49	81,6	65	15	1,5	DN 100 (4")	11200	6080	2350	2300	2630	2300
UR 100	60,7	101,2	79,5	18	1,5	DN 100 (4")	12250	7750	2564	2500	2850	2500
UR 120	87	145	114	26	1,5	DN 150 (6")	25000	13400	2890	3000	3490	3000
SUPER IRON Iron and Manganese)												
UFP 60	15,9	28	61,3	13,5	0,8	DN 80 (3")	4800	3310	2200	1500	1760	1500
UFP 72	27,3	40	90,8	18	0,8	DN 80 (3")	6750	4750	2282	1800	2100	1800
UFP 84	36,3	52	129,4	28	0,8	DN 100 (4")	8600	6100	2340	2100	2450	2100
UFP 90	42,3	58	147,7	32,5	0,8	DN 100 (4")	1300	7260	2350	2300	2630	2300
UFP 100	52,2	79	174,9	38,5	0,8	DN 150 (6")	12570	8900	2614	2500	2950	2500
UFPe 100	52,2	79	174,9	38,5	0,8	DN 100 (4")	12570	8900	2564	2500	2850	2500
UFP 120	73,5	112	250	53,5	0,8	DN 150 (6")	25500	13625	2890	3000	3490	3000
CULLNEU (acidity)												
UU 60	-	22,7	61,3	13,5	1,5	DN 80 (3")	4640	3290	2200	1500	1760	1500
UU 72	-	32,7	90,8	18	1,5	DN 80 (3")	6455	4655	2282	1800	2100	1800
UU 84	-	40,9	129,4	28	1,5	DN 100 (4")	8325	5825	2340	2100	2450	2100
UU 90	-	47	147,7	32,5	1,5	DN 100 (4")	12250	7250	2350	2300	2630	2300
UU 100	-	59	174,9	38,5	1,5	DN 150 (6")	13445	9145	2614	2500	2850	2500
UUe 100	-	59	174,9	38,5	1,5	DN 100 (4")	13445	9145	2564	2500	2850	2500
UU 120	-	80	250	53,5	1,5	DN 150 (6")	27000	15500	2890	3000	3490	3000

- Power supply: 230-110-24V/50-60Hz.

CULLIGAN ITALIANA S.p.A. - Via Gandolfi, 6 - 40057 Cadriano BO (ITALY) - Phone +39 051 60 17 111 - Telefax +39 051 765 602

Quality System Certified according to UNI EN ISO 9001 -2000 Norm

Culligan reserves the right to change or modify the stated specifications or dimensions